

Cloud

Owner's manual

C209 / C235 / C273 / C290

Unboxing your Cloud

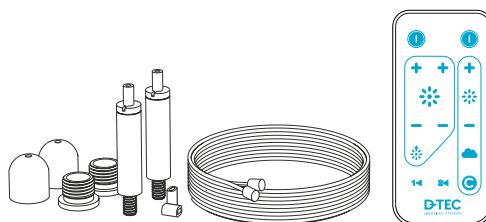
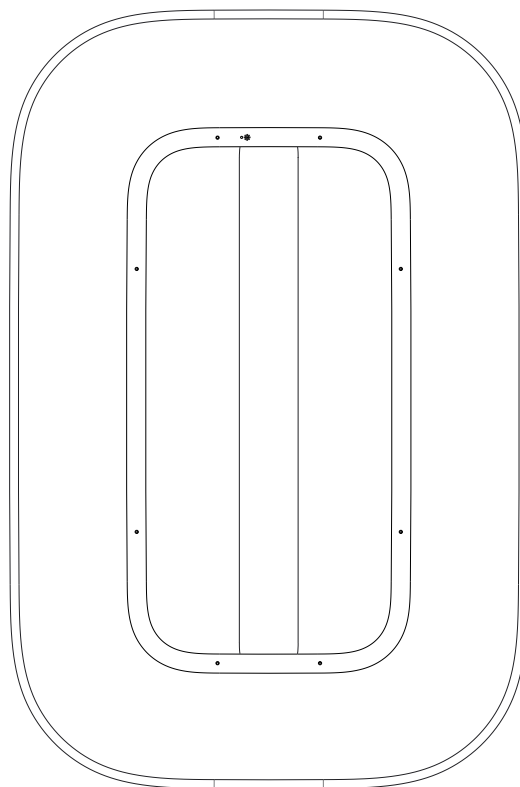
Carefully open the package without using any sharp objects that can scratch the product. In the package you will find the following items:

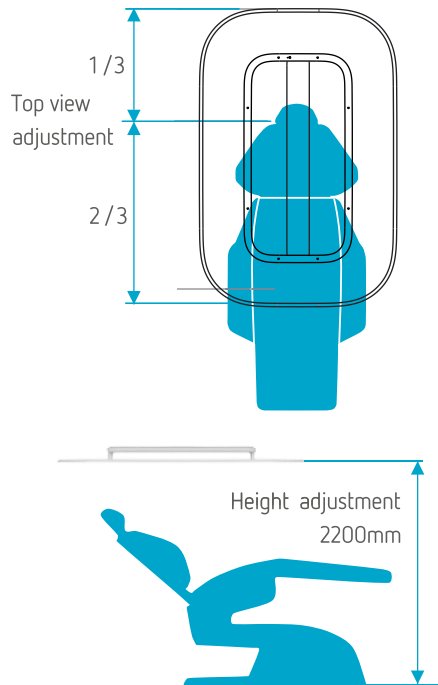
- The Luminaire
- Wire fixtures. Two or four sets depending on version
- Remote control unit and holder

Note

Do not disassemble. Do not cut or replace the power cord, replacement may be performed by authorized personnel only.

Cloud is for indoor use only.

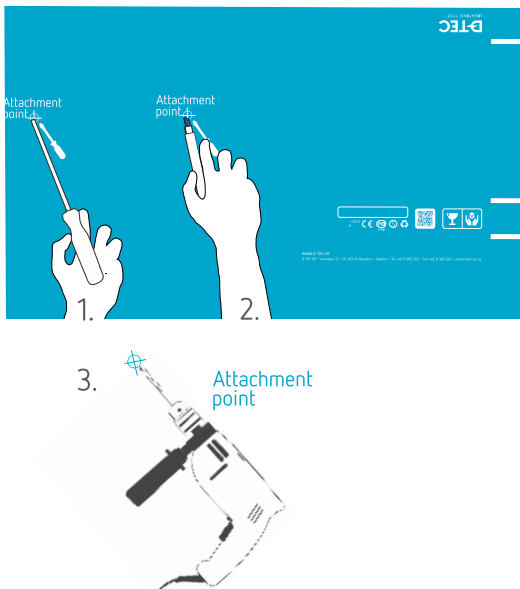




Positioning your Cloud

The patient's eyes should be in line with one third of the length of the luminaire.

Dentist chair

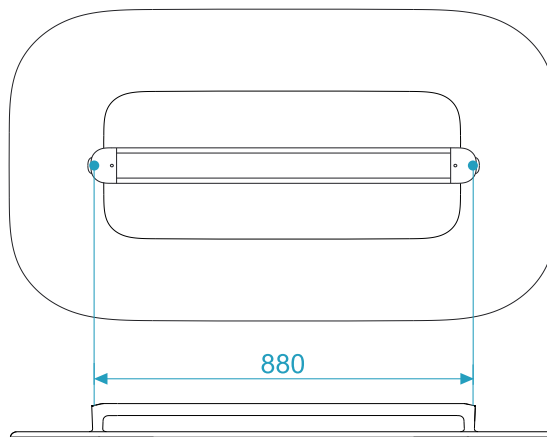
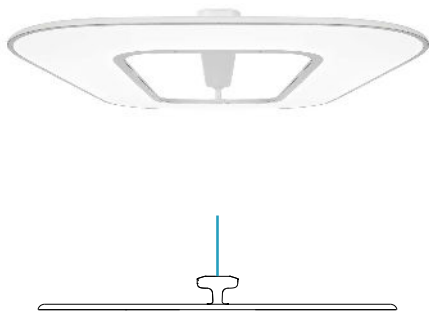


Prepare the mounting

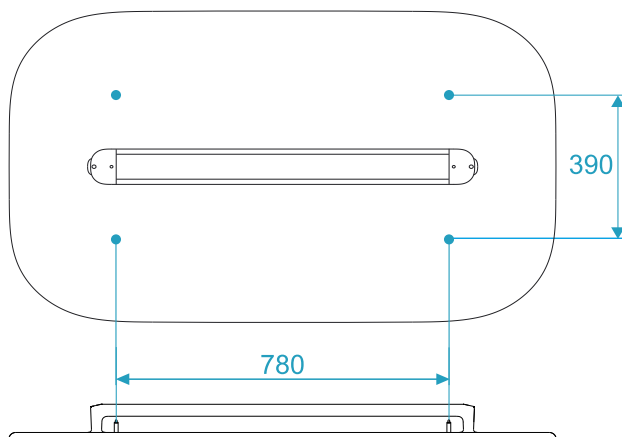
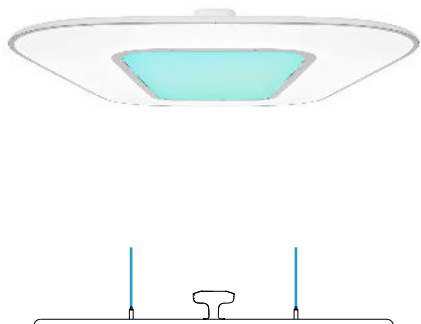
After unpacking the luminaire, you can use the packaging as a guide for marking the attachment points in the ceiling.

1. Punch holes with a screwdriver or similar through the front of the packaging at the attachment point markings as indicated.
2. Position the cardboard lid where you want to mount the luminaire and mark out the ceiling points.
3. Drill your holes for the attachment.

C209/C235/C273

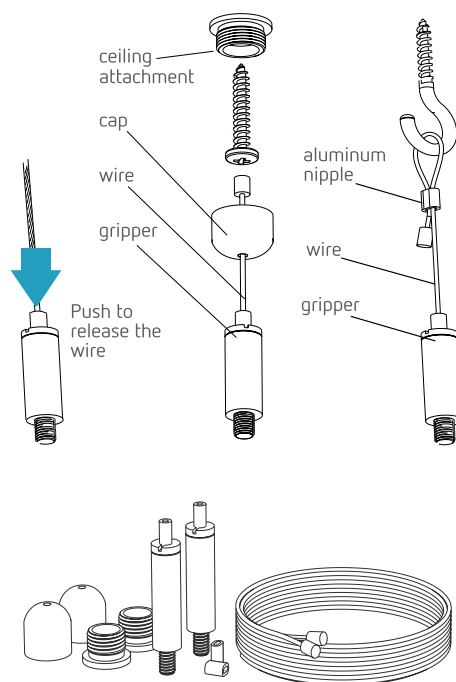


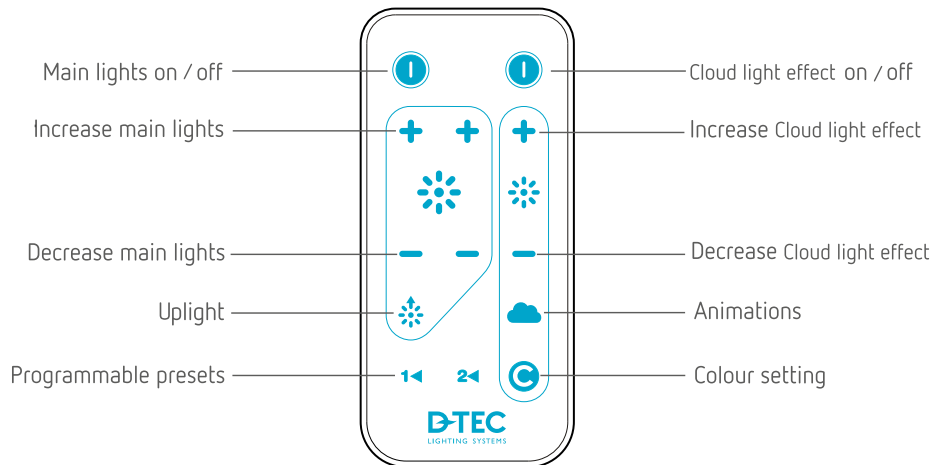
C290



Mounting in the ceiling

Cloud could be mounted either with a dual wire assembly or with a quad wire assembly as indicated. The mounting kits are provided with the luminaire, use the one most suitable for your needs.





Operating Cloud

The cloud luminaire is operated with a remote control for all functions. It is delivered with a holder that could be mounted on a wall, table, etc.

There are three different light sources in the Cloud luminaire, bright white light (left +/- buttons), warm white light (middle +/- buttons) and uplight (uplight button).

When working with light curing materials, it may be necessary to decrease the amount of bright white light to avoid that the material will cure too fast. Lowering the light in Cloud may also make it easier to examine x-rays.

Cloud is a very energy efficient luminaire. To make it even more efficient it may be useful to lower the amount of light when there is no patient under treatment.

Cloud has two preset buttons that make it easy to store your favorite setting for these purposes, button 1 and 2. Press one of the number buttons to use the preset values. To go back to previous values, press the button once again. To change the preset, set your desired level of all light sources with the +/- buttons, then press and hold one of the number buttons for about 3 seconds. The sun symbol starts flickering to indicate that the new setting has been stored.



Cloud light effect

Cloud comes with a color light effect (optional) . The Cloud light effect has a separate power button and can be controlled separately from the other light sources.

There are four different animated light effects, and each light effect has two speeds. To choose light effect, use the Cloud button to browse through the programs

- Clouds, slow
- Clouds, fast
- Moving colors, slow
- Moving colors, fast
- solid fading colors, slow
- solid fading colors, fast
- Moving rainbow, slow
- Moving rainbow, fast

The light intensity can be controlled with the right +/- buttons.

The luminaire can also show static solid colors, use the C-button to change color.



C209/C235/C273



C290

Facts

Voltage: 220-240 VAC 50-60Hz

Power: 209-290W, depending on options

CRI (Ra): 93+

Light: 4000lux / 1,2m

C209: 6500K

C235: 6500K + 3000K

C273: 6500K + 3000K + uplight

C290: 6500K + 3000K + uplight + Cloud light effect

Weight: 15kg (C209/C235/C273), 21kg (C290).

D-TEC AB

Varavägen 12

SE-465 94 Nossebro, Sweden

Phone +46 (0) 31-96 93 02

Email mailbox@d-tec.se

www.d-tec.se

