



## Dental light with integrated camera

Iris<sup>®</sup>  
VIEW

### ***“Our focus, your work”***

At G.COMM we believe that quality of work is strictly correlated to the possibility of perceiving the smallest details in the area of operation. Out of this belief comes Iris View, a dental light equipped with a Full HD resolution (1920x1080px) videocamera with Autofocus, which allows you to view the operating area with a 30x optical Zoom.

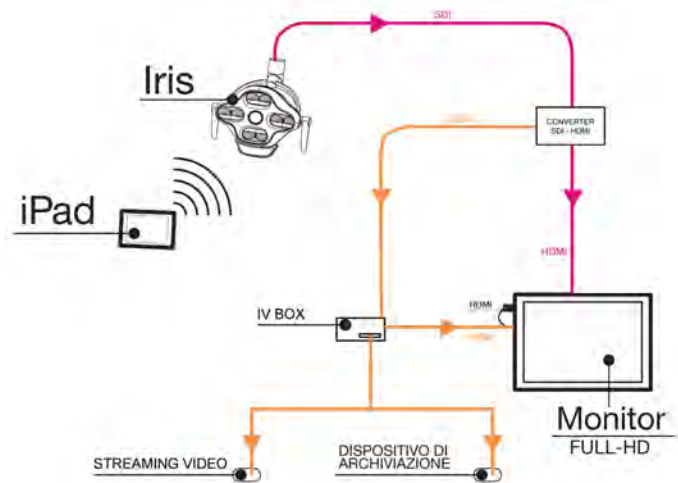


**G.COMM**



### The importance of communication

The potential of this instrument as applied to the dental medical field is significant: viewing a detailed image of the operating area, highlighting the details which are difficult to see with the naked eye, amplifying the visual capabilities of the professional and relieving eyestrain, leading to important progress in work methods. The use of a video camera facilitates and improves communication both with the patient and with specialised personnel. In the diagnosis phase diseases can be clearly shown on the monitor, making comprehension of the problem simple and immediate. During the operating phase specialised personnel can follow the evolution of the operation in real time and at the end the results of the work done can be assessed.



### Record, document, share

Iris View offers the opportunity to record and transmit the operations in high definition. Moreover the video signal allows the connection to a wide range of devices. The possibility of recording and viewing operations is quite useful in various scientific contexts such as conferences, conventions and university lectures.

### More ergonomic less stress

The use of the monitor lets you work in complete comfort because the operating area can be observed in indirect vision. Therefore the dentist is not forced to maintain an incorrect posture bent over the patient, but can operate sitting upright, thereby reducing stress on the spinal column and consequently decreasing the risk of professional ailments such as cervical problems, lumbar trouble

## Maximum light quality

G.COMMM continues with its philosophy of striving for maximum lighting quality, keeping alive the concept of adapting the light parameters based on the needs of the professional, as well as the specific type of treatment. This is possible thanks to the regulation of the brightness intensity from 8000 to 50000 lux, the regulation of the colour temperature between 4200 and 6000 Kelvin and a high colour rendering index (CRI), fundamental in surgical treatments because it emphasizes the contrast between the soft tissues. These various settings can be selected from a convenient keypad that has 3 preset programmes



### Colour matching

5500 K, creates a combination of cool and warm LEDs that maximises the colour rendering index, facilitating the dentist's choices during tooth replacement operations



### Surgical treatment

4500 K, optimises the colour contrast on the soft tissues, better distinguishing the shades of the gums, blood and periodontium.



### Anti-polymerisation mode

3000 K, minimises blue emission, reducing the compound curing speed

## My light for iPad

Iris View can be managed through iPad application (that can be downloaded from App Store) for complete Wi-Fi management of all the lamp's features. My Light manages the different parameters of the lamp, varying brightness intensity and colour temperature simply by sliding two cursors. The polymerisation, surgery and colour matching buttons set the lamp to one of the three preset programmes, whereas the video camera is adjusted using the zoom cursor and the freeze, reverse and flip buttons.



## Lamp

Supply voltage: 12 - 24 Vac 50-60 Hz

Maximum power absorbed: 35,2 VA

Illuminated spot dimension: Approx. 80 x 200 mm

Brightness intensity (5 adjustable steps): from 8000 lux to 50.000 lux

Colour temperature (5 adjustable steps): from 4200 K to 6000 K

Focal length: 70 cm

CRI (colour rendering index): > 95%

Light source: 8 LEDs

## Camera

Sensor: 1/2.8" CMOS

Resolution: 1920 x 1080px (Full HD)

Zoom: 30x optical

Zoom speed: from wide to full zoom (with autofocus) in 4.6s

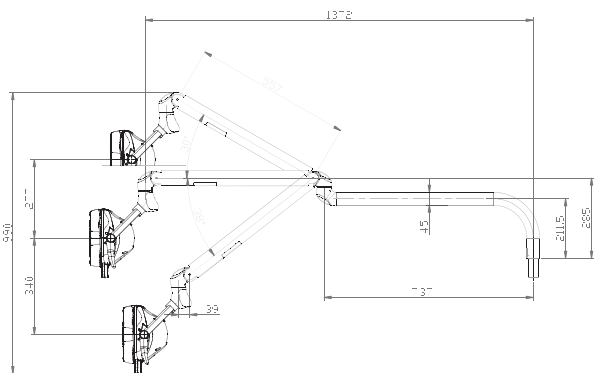
Video output: full HD 60 fps 3G SDI

White balance: automatic from 3000K to 7500K

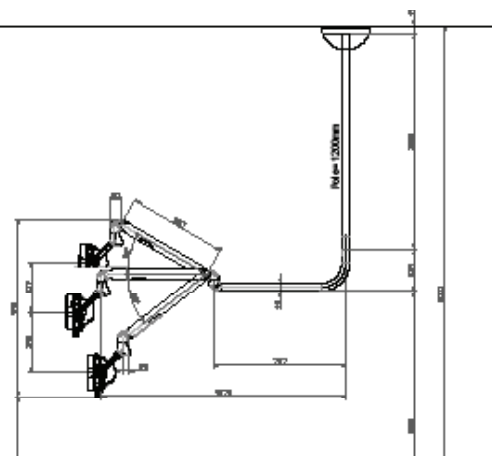
Brightness balance: automatic with Wide Dynamic Range mode

Image stabiliser: 90% vibration correction up to 10Hz

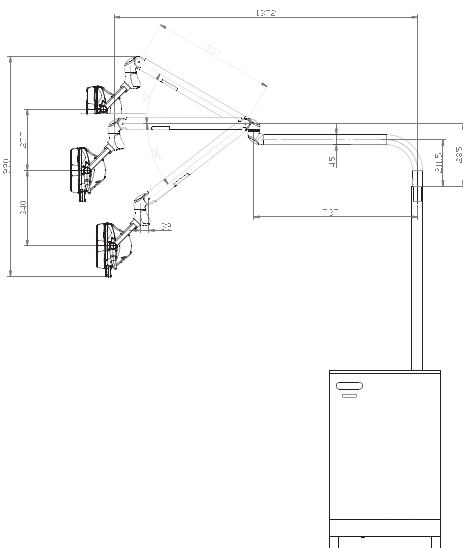
**UNIT MOUNT**



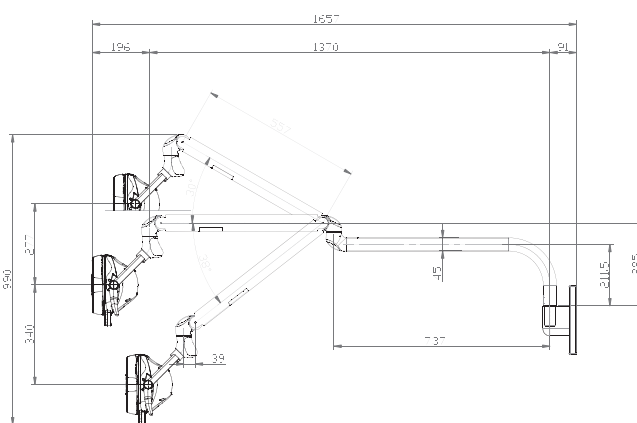
**CEILING MOUNT**



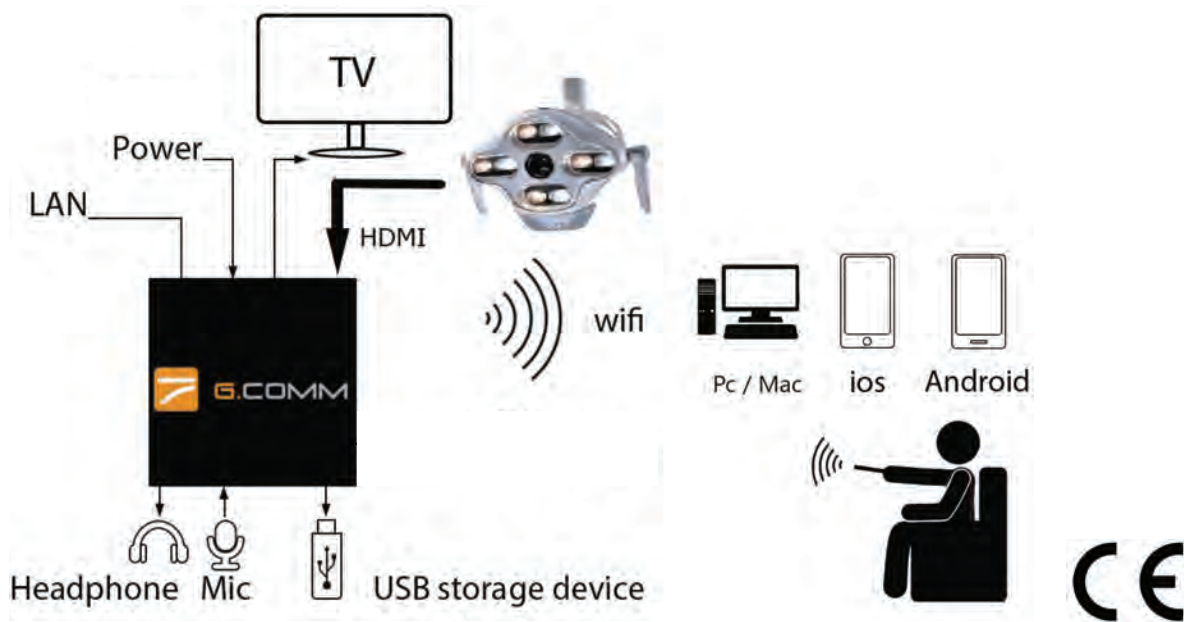
**ON SURGICAL CART**



**WALL MOUNT**



**IRIS VIEW- INTEGRATED SYSTEM**



G.COMM is certified ISO 13485

G.Comm S.r.l.  
Via XXV Aprile, 20  
20884, Sulbiate (MB) Italy

T +39 039 60 60 420  
info@gcomm-online.com  
www.gcomm-online.com

