

Systematic X-ray solution – perfect in function and design

The intraoral X-ray generator VistalNtra



COMPRESSED AIR

SUCTION

IMAGING

DENTAL CARE

HYGIENE

The perfect source for the best X-ray results



X-rays in the system - everything from a single provider

For almost five decades, dentists, clinics and X-ray departments have been using Dür Dental's experience and expertise in X-ray systems. Our excellent image plate, sensor and scanner technology for digital X-rays is setting new standards in image quality.

With VistalIntra, we now also offer you X-ray generators for excellent intraoral images. VistalIntra impresses with its exemplary ergonomic design and is perfectly matched to Dür Dental image plates. Dür Dental's expertise and quality is now available to you for all your X-ray system needs: from X-ray sources, X-ray film developers and scanners through to sensors and imaging software. Dür Dental offers you a complete system from a single provider which assures you the best image results thanks to optimally matched system components.

Whatever image receptor you use, VistalIntra forms the basis for a perfect image quality.

This is what really matters:

- Modern, slim design for easy, precise positioning
- Easy operation concept
- Perfectly matched to image plates and sensors
- Highly reliable and long service life for X-ray tubes
- Constant radiation
- mA and kV levels are adjustable
- DC generator with 0.4 mm focal spot
- DAP (dose area product) after exposure

Best in class

We seek to achieve the best for our customers thanks to excellent products and outstanding services. That is our aim with regard to user friendliness, reliability and design.

Versatile and highly efficient

Together with Dürr Dental image plate technology, VistalIntra is synonymous with precise, perfect-quality intraoral images. The VistalIntra X-ray generator is also eminently suitable for VistaRay X-ray sensors and images produced on film.

Instant, high-quality image results

The VistalIntra is already precisely pre-programmed in the factory for the X-ray dose required for each view of teeth when using Dürr Dental image plates and sensors. It is thus ready for immediate use and delivers perfectly exposed, clear images.

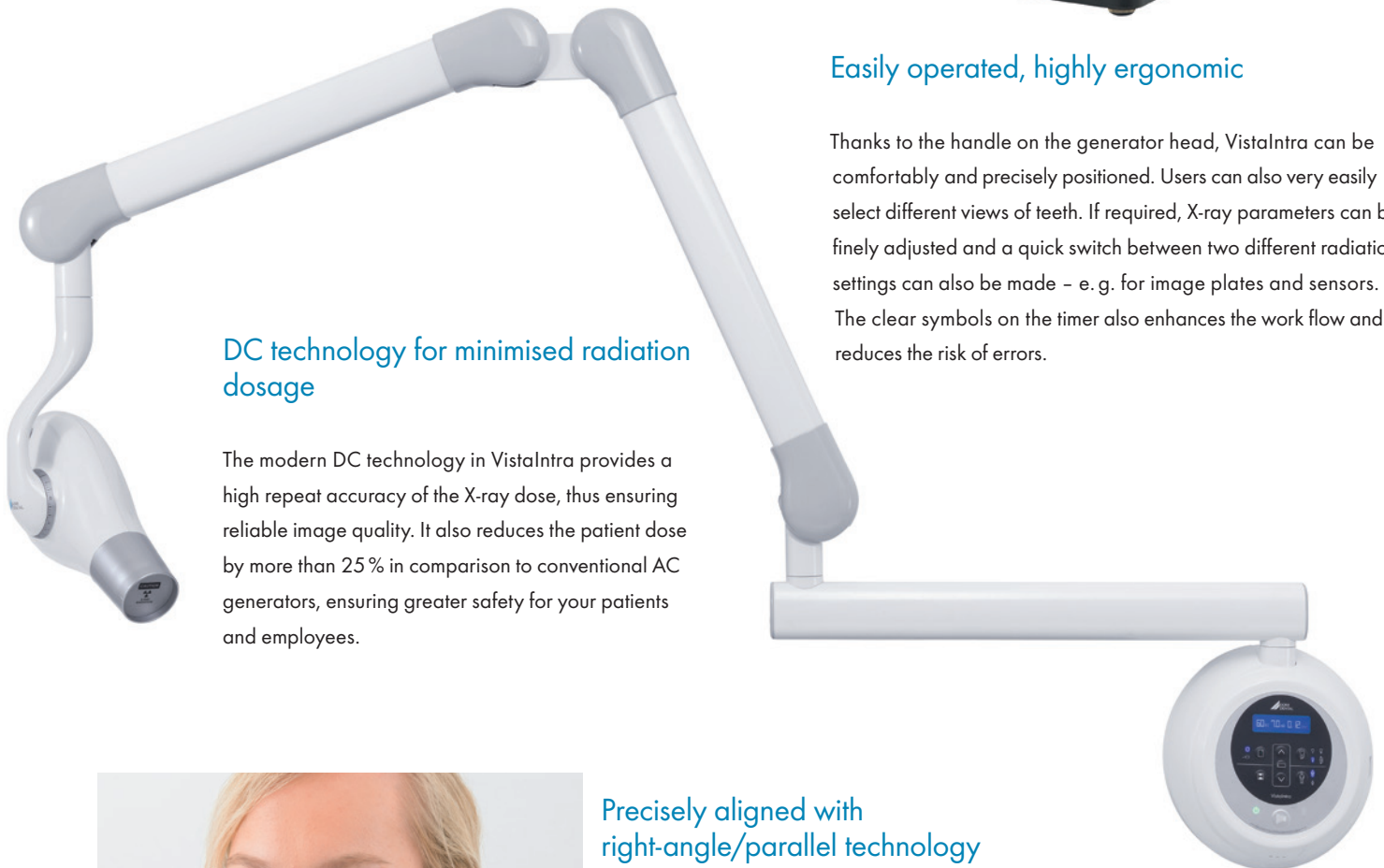


Easily operated, highly ergonomic

Thanks to the handle on the generator head, VistalIntra can be comfortably and precisely positioned. Users can also very easily select different views of teeth. If required, X-ray parameters can be finely adjusted and a quick switch between two different radiation settings can also be made – e. g. for image plates and sensors. The clear symbols on the timer also enhances the work flow and reduces the risk of errors.

DC technology for minimised radiation dosage

The modern DC technology in VistalIntra provides a high repeat accuracy of the X-ray dose, thus ensuring reliable image quality. It also reduces the patient dose by more than 25% in comparison to conventional AC generators, ensuring greater safety for your patients and employees.



Precisely aligned with right-angle/parallel technology

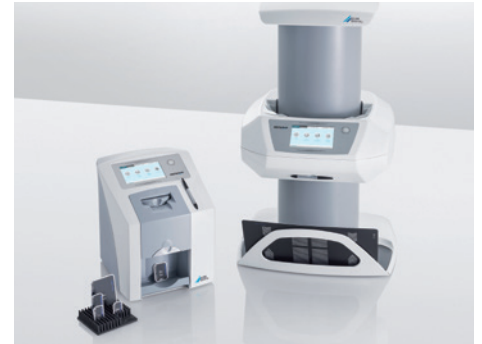
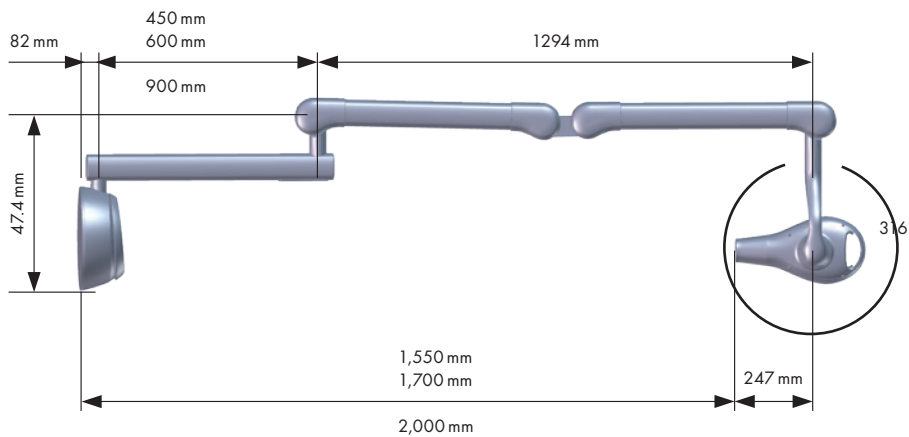
Optimum images can be easily produced together with the Dürr Dental RWT set.



All data, facts and accessories

VistaIntra DC –
ideal for all image receptors

VistaIntra DC	
Power input	AC 100-240 V 10%, 50/60 Hz
Power consumption (W)	500
Tube voltage (kVp)	60-70
Tube current (mA)	4-7
Tube length (mm)	200 (300 optional)
Radiation field limits (mm)	Ø 60 / 30x40 (20x30 optional)
Exposure time (sec.)	0.04 - 2
Focal spot (mm)	0.4 (IEC 336)
Total filtration (mm)	Min. 2.0 Al
Weight kg	24.4 / 26.4 / 28.4
Height (mm)	1,730
Arm length (mm)	1744 (1894 optional)



VistaScan image plate scanners



VistaRay sensor technology



XR 24 Pro and Periomat Plus
X-ray film developer